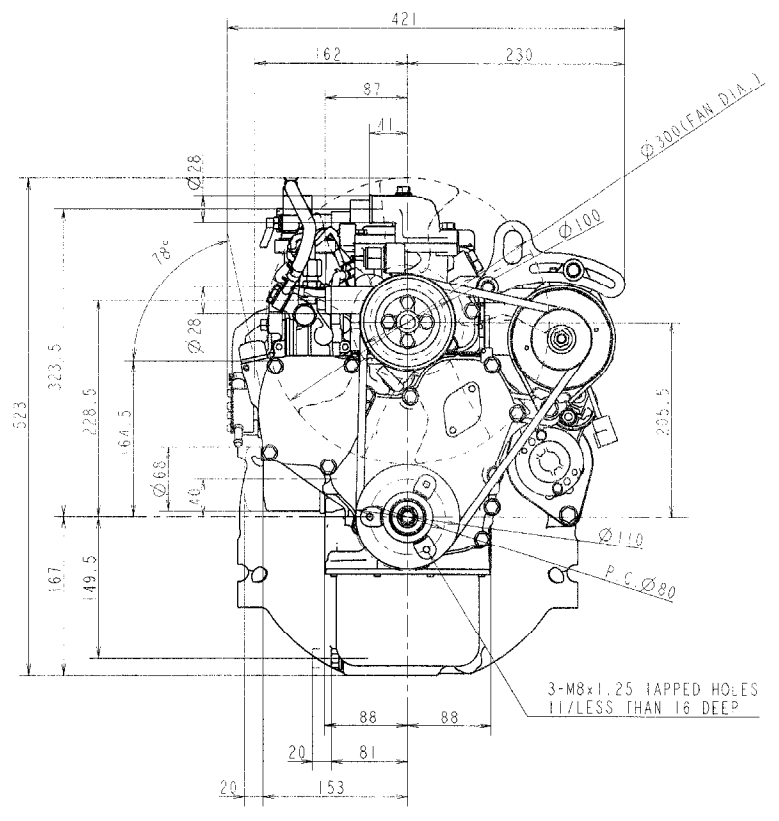
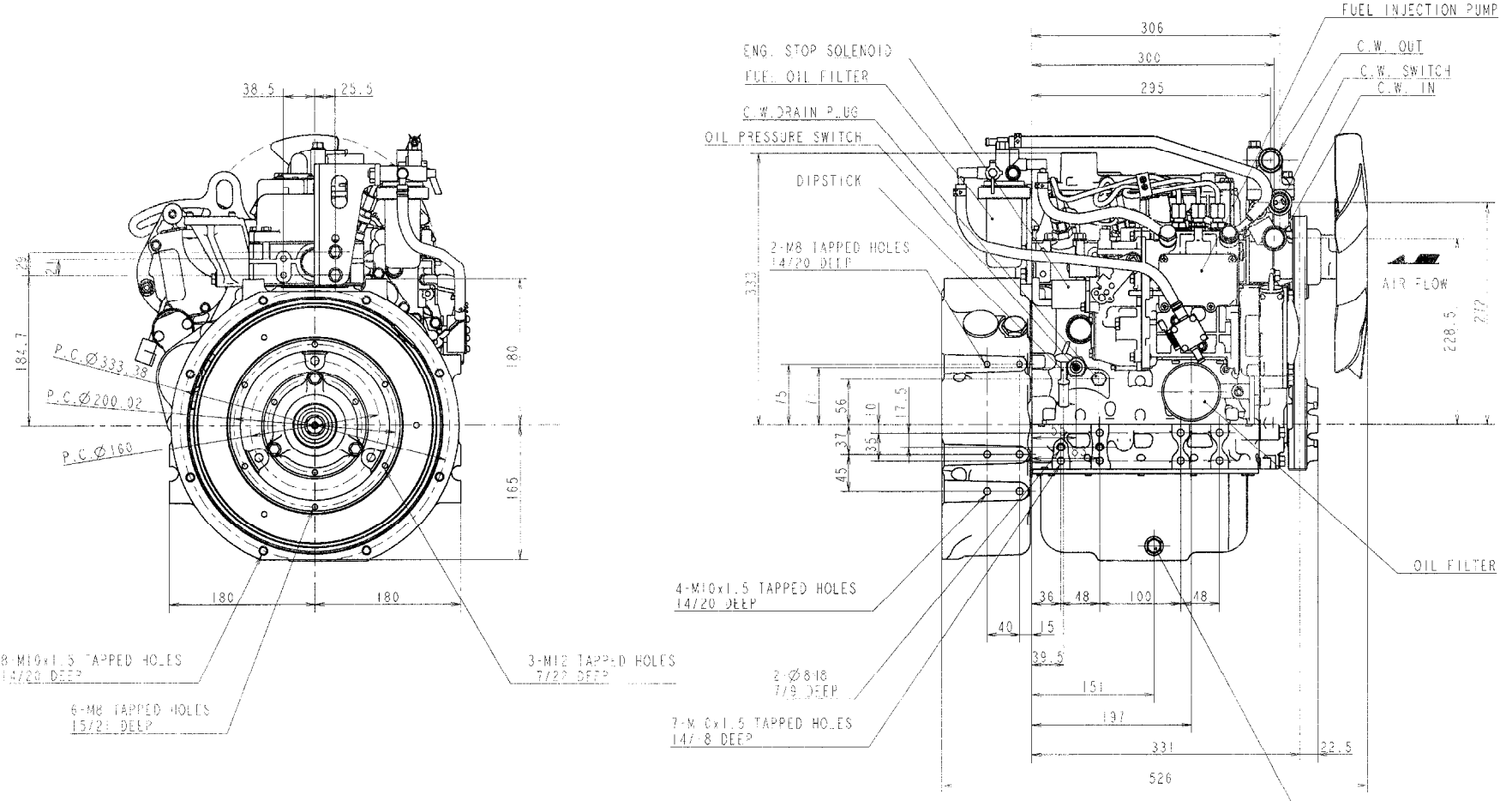
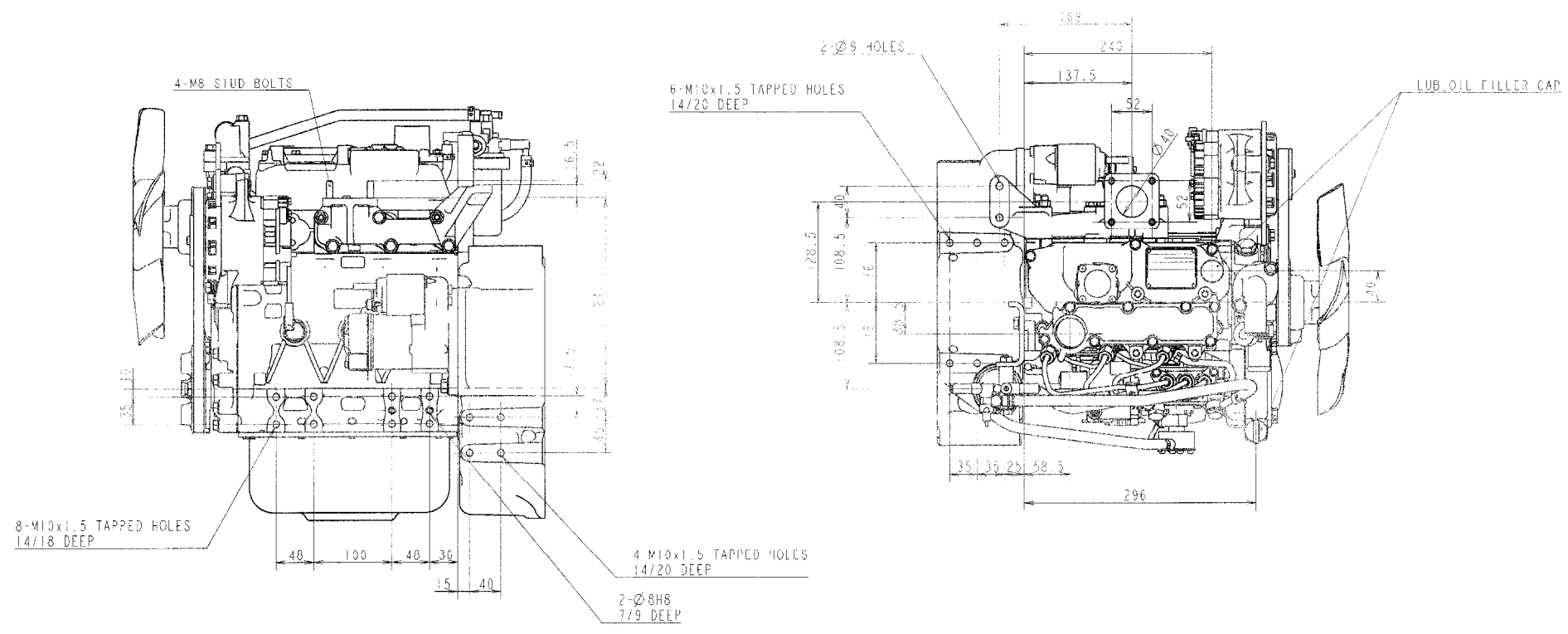


CAREER  
 REV. FOR CHANGE ITT  
 "POSTA" (REV. 001)  
 REV. FOR CHANGE ITT  
 "POSTA" (REV. 002)



3D-CAD

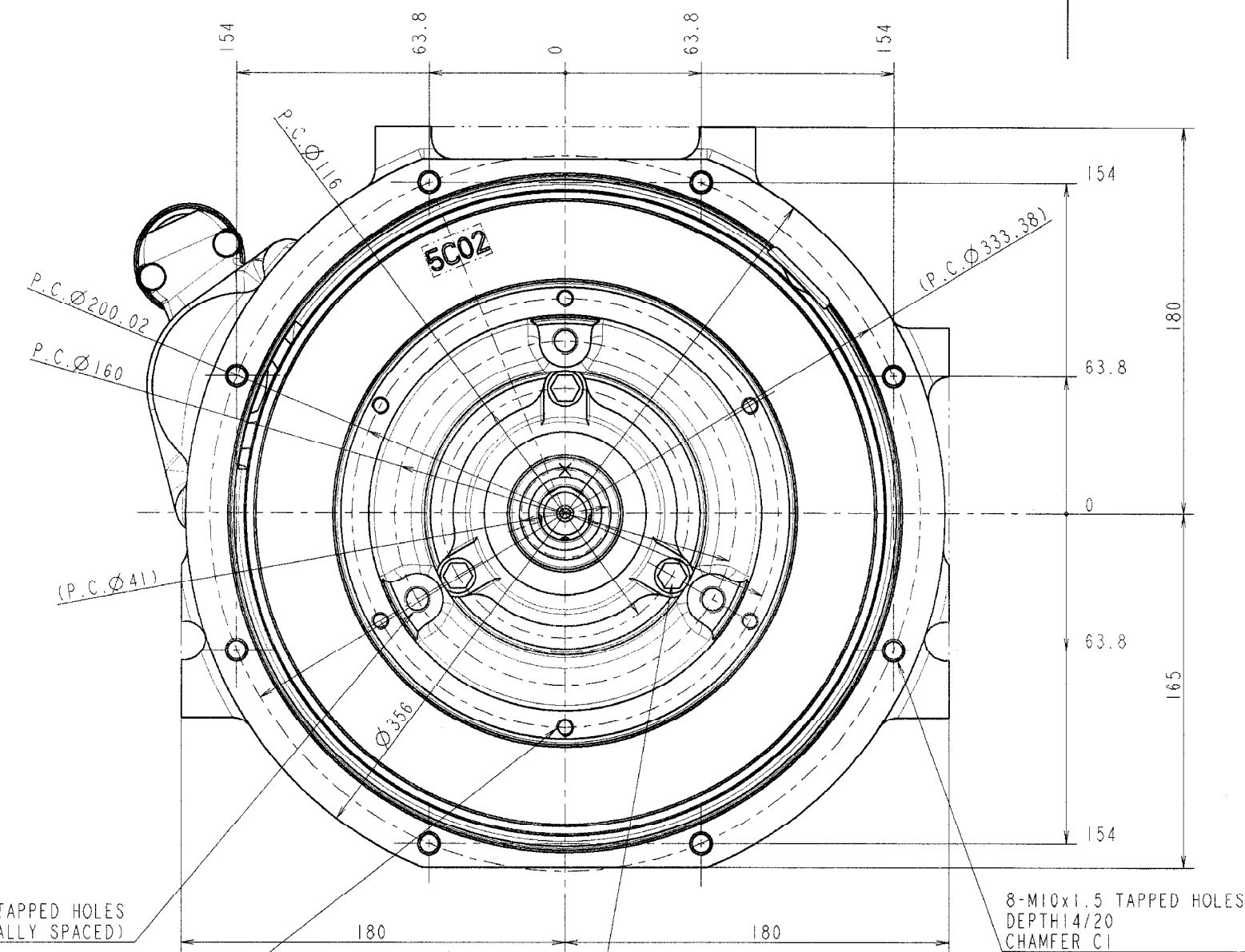
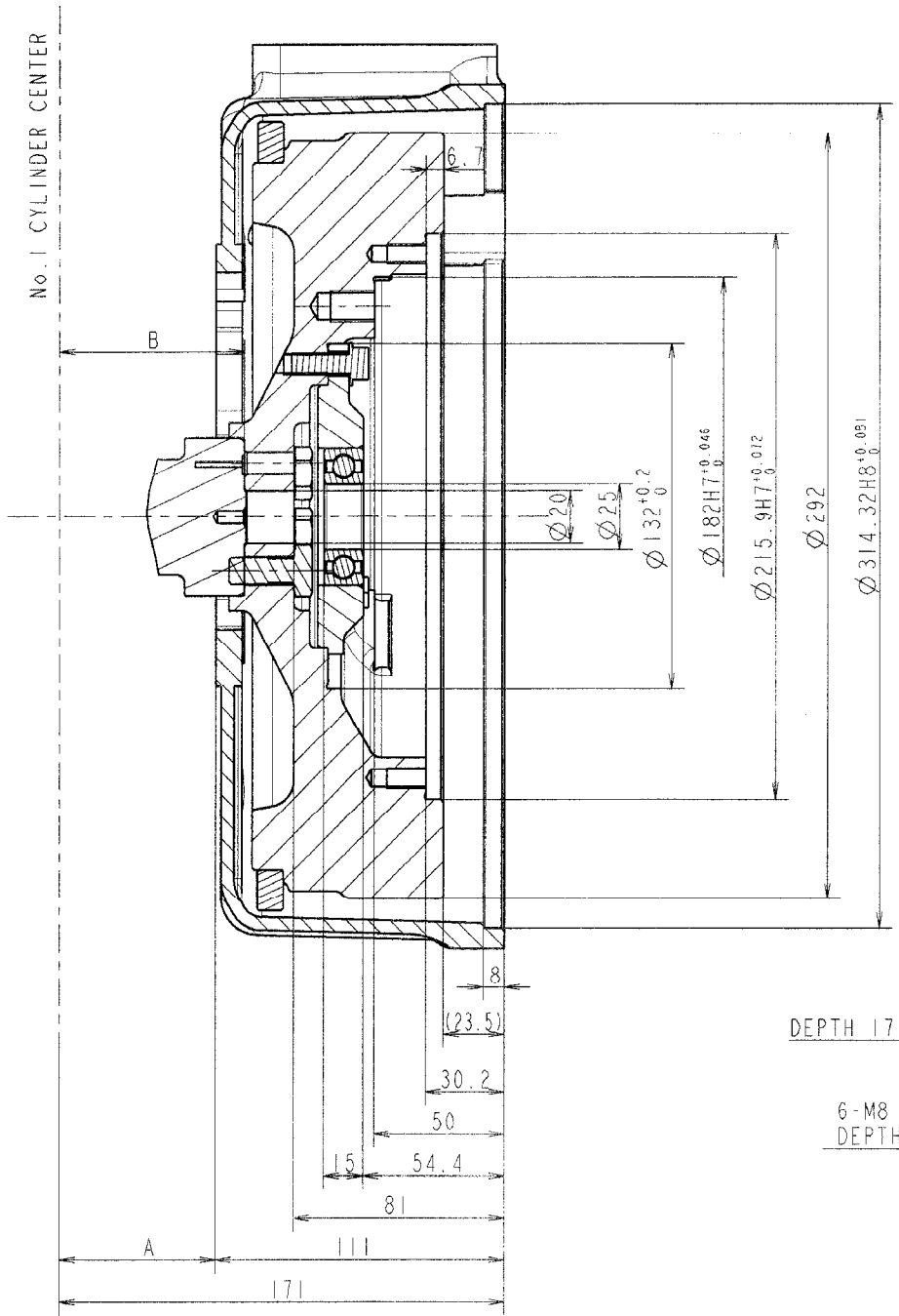
NOTICE

GEOMETRICAL TOLERANCE	OK
TYPE OF TOLERANCE	OK
STRAIGHTNESS TOLERANCE	OK
CIRCULARITY TOLERANCE	OK
PARALLELISM TOLERANCE	OK
PERPENDICULARITY TOLERANCE	OK
ANGULARITY TOLERANCE	OK
POSITIONAL TOLERANCE	OK
COINCIDENCE TOLERANCE	OK
MAXIMUM SURFACE TOLERANCE	OK
MINIMUM SURFACE TOLERANCE	OK

WEIGHT (RAW)	(G)	18
WEIGHT (SCALE)	(G)	15
S. ENGINEER	MANAGER	MODEL 58 ASA
CHECKED	SPECIALIST	QTY 1
DESIGNED	DRAWN	DATE: Y.M.D NAME
<b>YANMAR</b>		
POWER SYSTEM OPERATIONS DIV., YANMAR CO., LTD.		REV. REV.2
CODE B3-19125-0010		DRAWN SIZE A1

NEED: ○	PURCHASING SPECIFICATION	REQUEST FOR APPROVAL	DELIVERY DRAWING	INSPECTING STANDARD	QC-PROCESS	FILE NAME: Z3-19128-0050.DRW										3RD ANGLE PROJECTION						
GEN. TOL. 一般公差	DRAFT ANG. 錐度及び勾配	OUTSIDE 2/100	INSIDE 3/100	CAST WALL THICK 鋳造肉厚	NOMINAL DIM. DIVISION	5 TO 5 MAX	10 TO = 10	18 TO = 18	30 TO = 30	50 TO = 50	L-CAST 鋳造加工	120 MAX ±1.5	= 250 ±2.0	= 400 ±3.0	= 800 ±4.0	= 1600 ±5.0	= 3150 ±7.0	L-CHIP 削り	0.5 TO = 6 ±0.1	400 TO = 1000 ±0.8	10 MAX ±1 DEG.	CAREER
		3/100		SANDMOLD ±1.0	SHELL ±0.8															10 TO = 50 ±30MIN		
																				50 TO = 100 ±20MIN		
																				120 TO = 400 ±10MIN		
																				400 MIN ±5MIN		

FIGURE DIMENSION GT. CODE  
 ○ AND ∅: RADIAL



MODEL	DIMENSION A	DIMENSION B	FW. HOUSING	FLYWHEEL CMP	FLYWHEEL	BEARING RETAINER
3TNM68	60	71	119128-01600	119128-21591	119128-21401	119888-21450
3TNM72	63	74	↑	↑	↑	↑

WEIGHT (RAW)	kg (± %)	C. MANAGER'S. MANAGER	
WEIGHT (CALC.)	47.853kg (± %)	小形工機部	
S. ENGINEER	MANAGER	MODEL	3TNM 68 3TNM 72
CHECKED	SPECIALIST	QTY	1 1
DESIGNED	DRAWN	DATE: Y. M. D	NAME
M. Sakamoto	n. Wakizaka	2007.11.14	
<b>YANMAR</b>			
POWER SYSTEM OPERATIONS DIV., YANMAR CO., LTD.			
CODE	rev. 1	Z3-19128-0050	DRAW SIZE A2

Conforms to the Yanmar standard YIS V-0001J concerning "Use limitation of the environmental burden material" for the use of the environmental burden material of this part.  
 本製品の環境負荷低減等の使用に関しては、YIS V-0001J (環境負荷低減等の使用制限) を満足すること。  
 3D-CAD  
 NOTICE  
 GEOMETRICAL TOLERANCE  
 KIND OF TOLERANCE  
 SURFACE TOLERANCE  
 DIMENSIONAL TOLERANCE  
 PROFILE TOLERANCE  
 FLATNESS TOLERANCE  
 CIRCULARITY TOLERANCE  
 POSITIONAL TOLERANCE  
 RUN-OUT LOCATION ORIENTATION  
 POSITIONAL TOLERANCE  
 RUN-OUT LOCATION ORIENTATION  
 POSITIONAL TOLERANCE  
 RUN-OUT LOCATION ORIENTATION